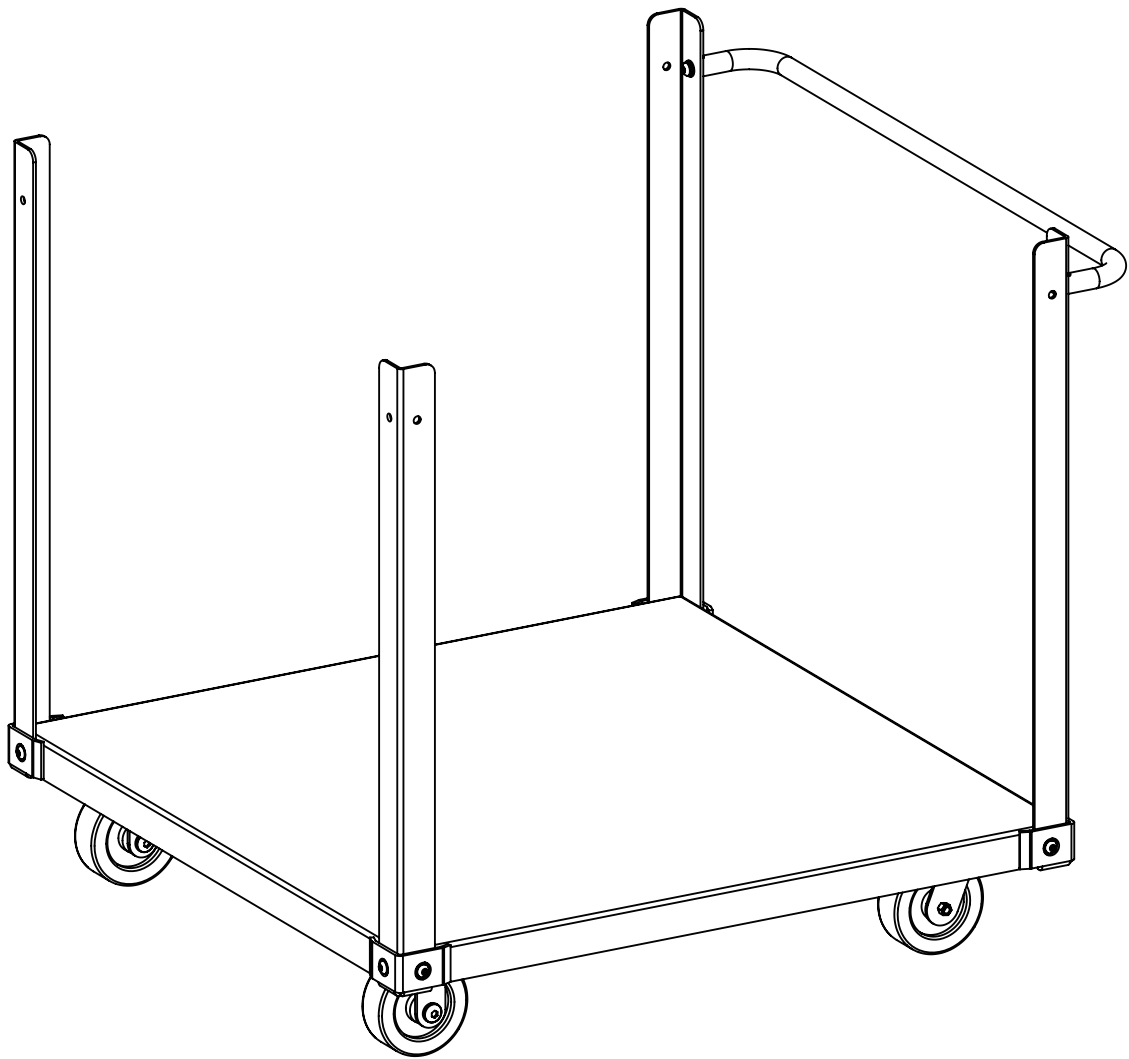


Dance Cart

ASSEMBLY INSTRUCTIONS

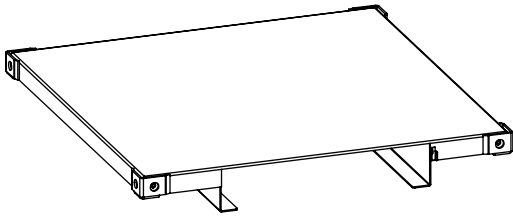
USER MANUAL & MAINTENANCE GUIDE



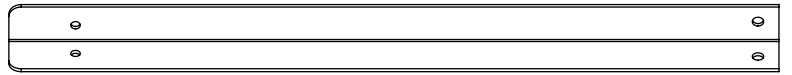
SNAPLOCK
DANCE FLOORS

1-800-457-0174 | www.snaplockdancefloors.com
2330 California Ave. Salt Lake City, UT 84104

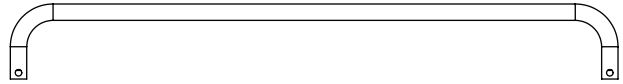
Parts Included:



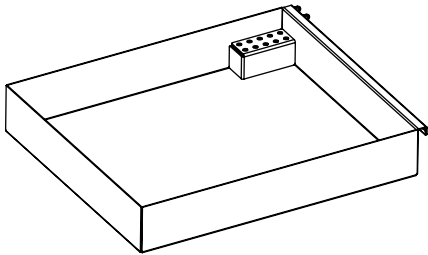
Base
(Qty. 1)



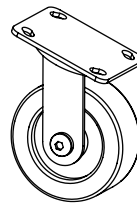
Sidebar
(Qty. 4)



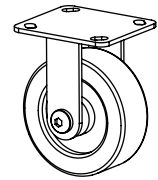
Handle
(Qty. 1)



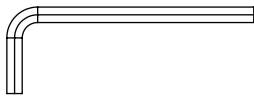
Drawer
(Qty. 1)



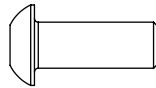
Caster
(Qty. 2)



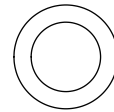
Steering Wheel
(Qty. 2)



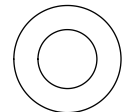
Allen
Wrench-7/32" (Qty. 1)



3/8"-16x1" Bolt
(Qty. 26)



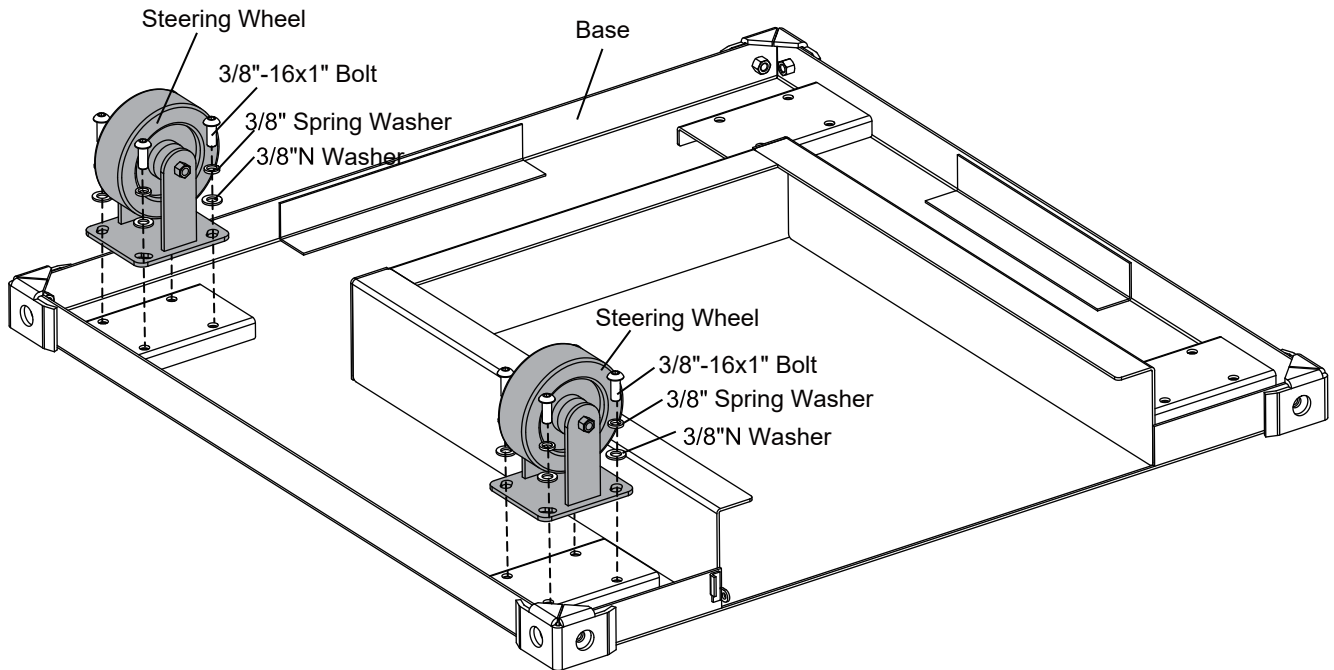
3/8" Spring Washer
(Qty. 26)



3/8"N Washer
(Qty. 26)

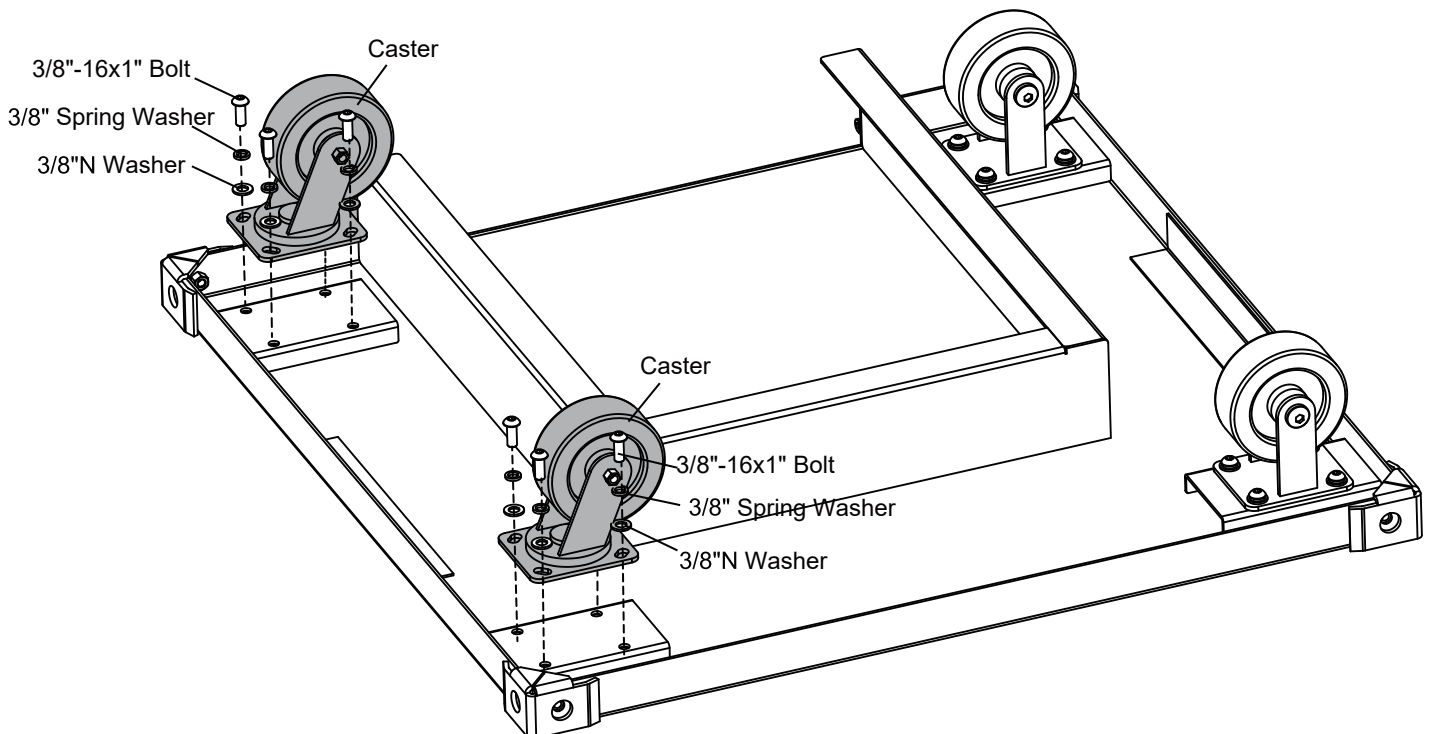
Step 1:

Attach two Steering Wheel to the Base, tighten with eight 3/8"-16x1" Bolts, eight 3/8" spring washers and eight 3/8"N washers as shown.



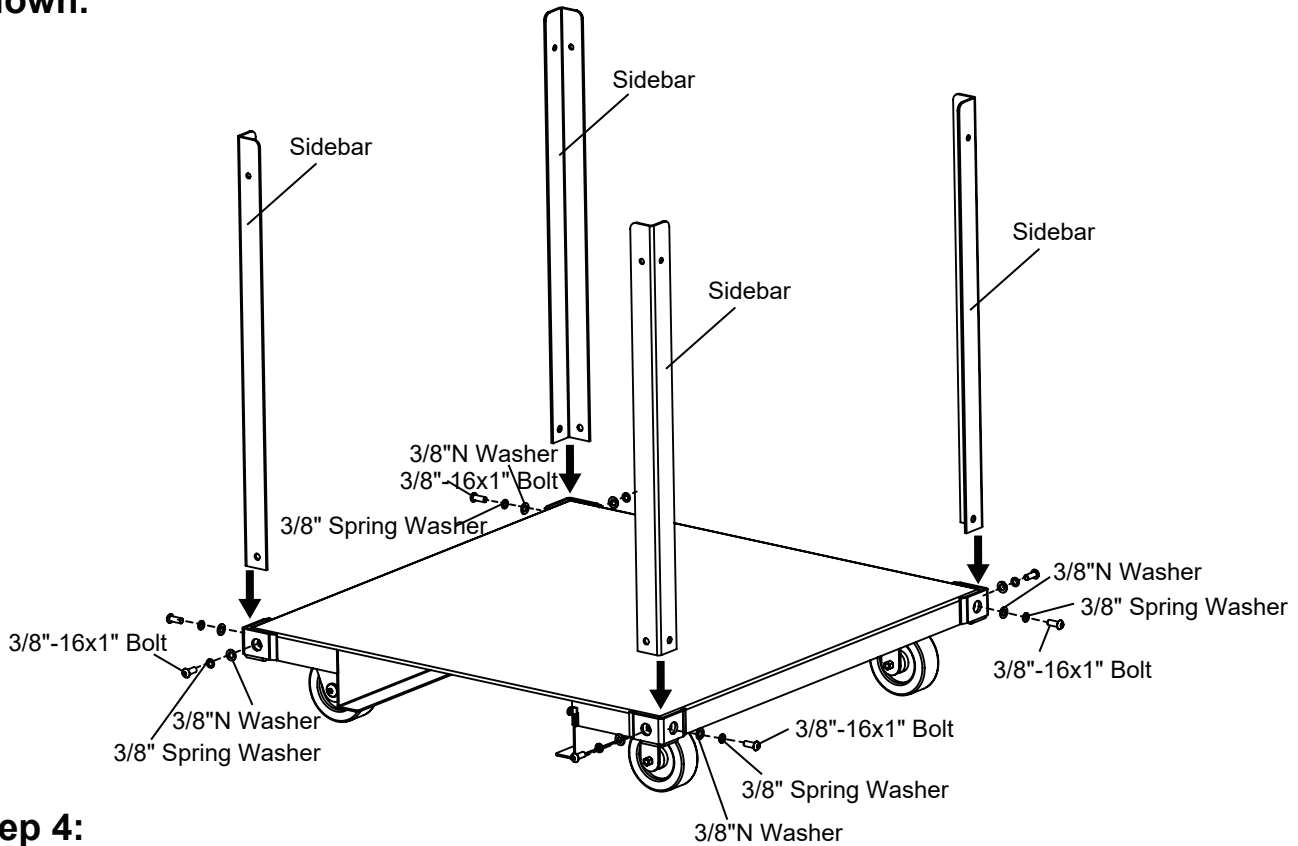
Step 2:

Attach two Casters to the Base, tighten with eight 3/8"-16x1" Bolts, eight 3/8" spring washers and eight 3/8"N washers as shown.



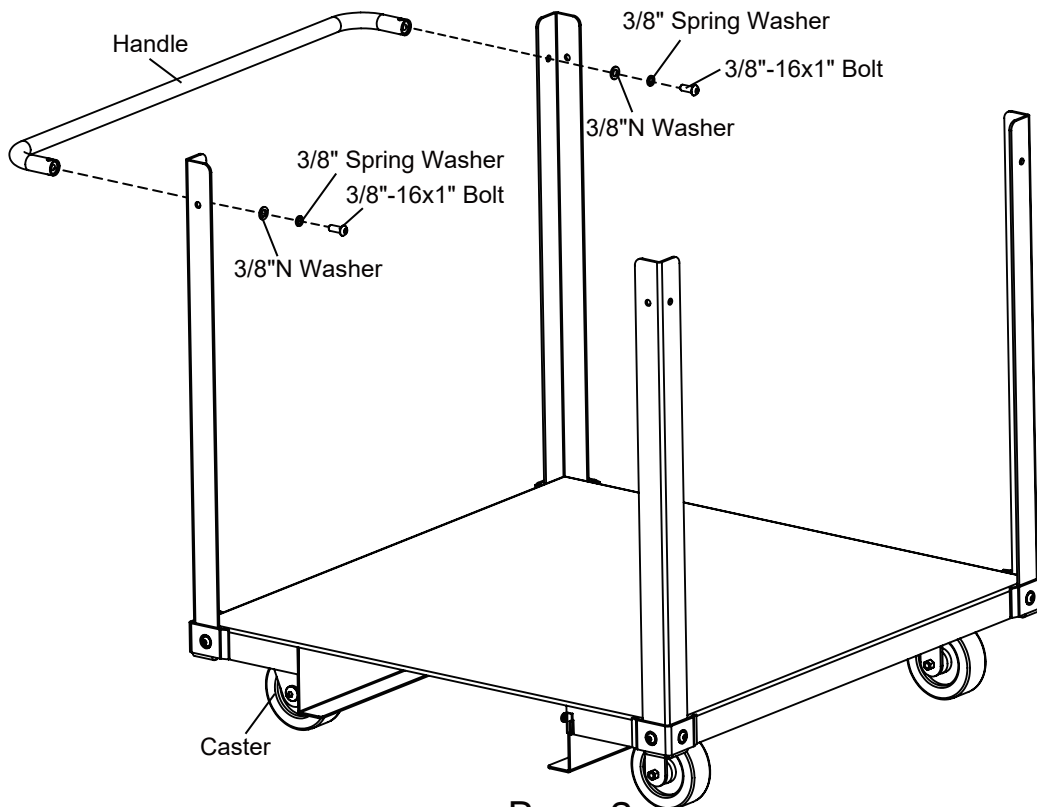
Step 3:

Attach four Sidebars to the four corners of the Base, tighten with eight 3/8"-16x1" Bolts, eight 3/8" spring washers and eight 3/8"N washers as shown.



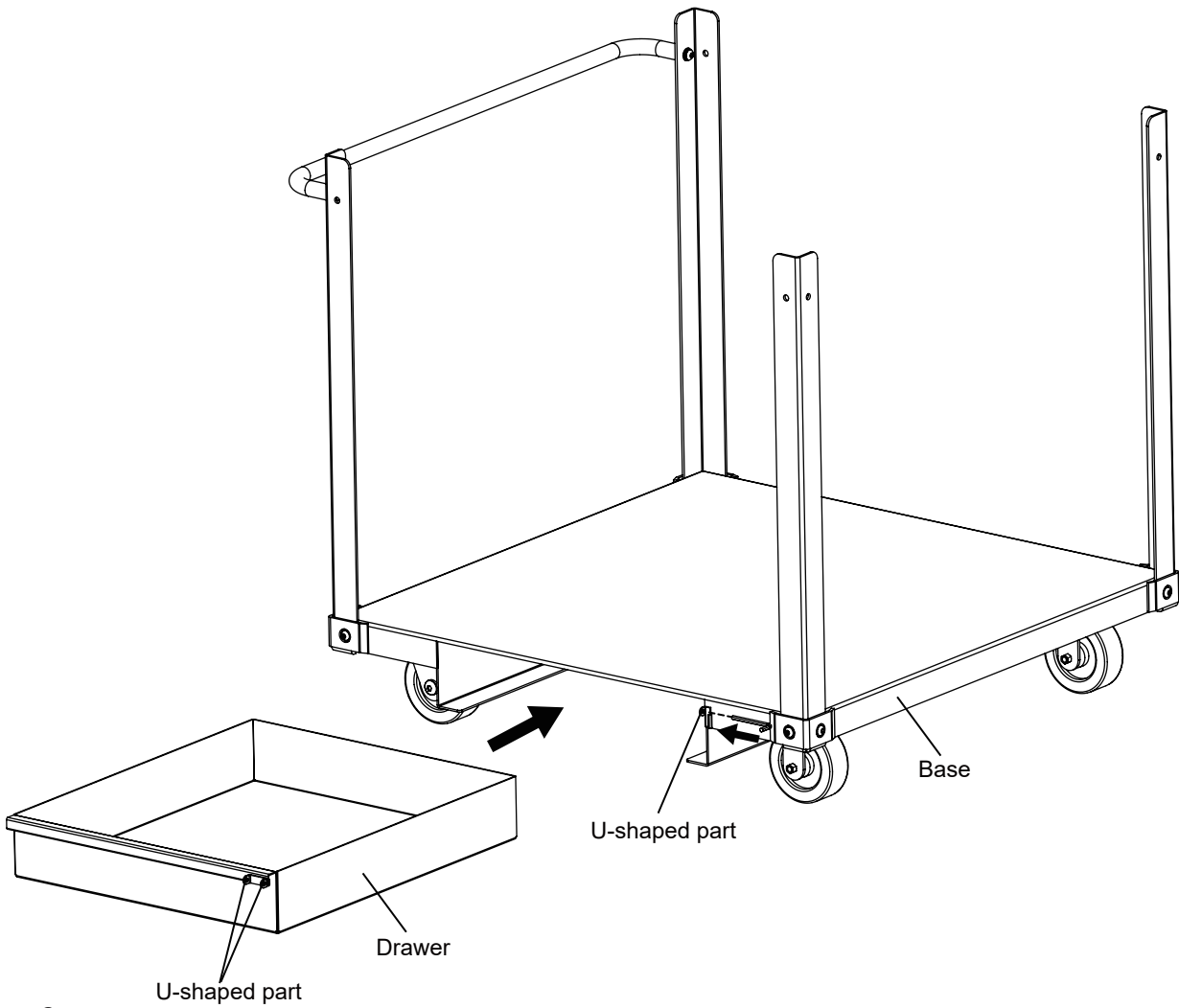
Step 4:

Attach the Handle to the side of two Sidebars, tighten with two 3/8"-16x1" Bolts, two 3/8" spring washers and two 3/8"N washers as shown. Note: Handle on the side of the caster.



Step 5:

Insert the Drawer into Bottom of the Base, the side with U-shaped components facing outward, then insert the Allen Wrench into the U-shaped part as shown.



Step 6:

Dance Cart installation completed.

