

A. GENERAL

Related Work: Drawings and general provisions of the contract including General and Supplemental Conditions and Divisions 1 Specification Sections apply to the work of this section.

B. PRODUCT

Manufacturer: AMORIM INDUSTRIAL SOLUTIONS, Trevor, Wisconsin. Phone: 800-255-2675 and Fax: 262-862-2500.

Product: 3/64" (1.2mm) Acousticork Crack Suppression Membrane. Product shall consist of pure granulated cork and recycled cork/rubber combined with a polyurethane resin binder. Product to be furnished in 48" wide continuous rolls, 75 linear feet long, and 3/64" (1.2mm) thick, $\pm .003$ tolerance. Density shall be a minimum of 35 lbs. per cubic foot and not to exceed 45 lbs. per cubic foot.

C. SYSTEM PERFORMANCE

Adhesion Bond Shear Strength: Product shall be tested for bond shear values in accordance with ASTM C482 (modified). Bonding material modified to be latex-Portland cement mortar. Values shall exceed a minimum of 50 psi as required by the Uniform Building Code. Tests shall be conducted by an independent laboratory.

Fracture Resistant Floor System Performance: Product shall be tested for separation values in accordance with ASTM C627 (modified) split slab. Product shall meet criteria for residential performance for bridging a separation in a concrete slab as simulated in field cracking conditions of a minimum of .030 inch. Tests shall be conducted by an independent laboratory.

Limited 10 Year Warranty: Manufacturer warrants Acousticork Products to be free of defects in material and workmanship appearing within ten (10) years from date of installation.

If a defect covered by this warranty is proven to exist, Acousticork Products will replace or at its option, refund the cost of the defective material. Such replacement or refund will be Acousticork Products' only responsibility and the purchaser's sole remedy in connection with the defective material. Acousticork Products will not be responsible for the cost of removal of the defective material or finished floor installed over

it, replacement of finished floor installed over defective material or installation associated therewith. Acousticork Products will also have no responsibility for replacement of or refund for warranted material damaged by (1) installation which is sub-standard or performed contrary to manufacturer's instructions and/or recommendations, (2) accident or abuse, or (3) irregularities of the subfloor, (4) hydrostatic pressure (5) or acts of God.

Acousticork Products will not be responsible for any incidental or consequential damages arising from the breach of this warranty or any other warranties, whether expressed, implied or statutory.

Some states do not allow the exclusion or limitation of incidental or consequential damages, so the above exclusion may not apply to you. This warranty gives you specific legal rights and you may also have other legal rights which vary from state to state.

To make a warranty claim, contact Acousticork Products at 800-255-2675 or write PO Box 25, Trevor, Wisconsin 53179.

D. EXECUTION

Installation: In accordance with manufacturer's recommended installation instructions and in compliance to ANSI A 108.5.

1. Concrete subfloor shall be properly sloped, structurally sound, level and clean. Inspect concrete subfloor for any open cracks and fill with a high grade epoxy filler. Remove any excess concrete lumps or residue that may interfere with the installation of the Acousticork Crack Suppression Membrane.

2. Pull the loose laid material back at least half the length of the cut cork. Using a properly sized V-notched trowel, apply a high grade Type I organic adhesive conforming to ANSI A136.1 or latex modified Portland cement mortar to the concrete slab conforming to ANSI A118.4. Gently, return the pulled back material to its measured place and evenly roll the material in both directions with a 50# roller to eliminate air bubbles. Repeat the procedure for the other half of the measured material.

3. Follow manufacturers recommended instructions for installation of finished floor tile conforming to ANSI A108.5.

AcousticorkPRODUCTS™

Sound Control Underlayment & Crack Suppression Membrane

26112 110th Street • PO Box 25 • Trevor, WI 53179 • 1-800-255-2675 • 1-262-862-9251 • FAX 1-262-862-2500



AMORIM

The following installation instructions are a recommendation but are not intended as a definitive project specification. They are presented in an attempt to be used with recommended installation procedures as published by the Tile Council of America and specified in the American National Standards Institute.

SUBFLOOR

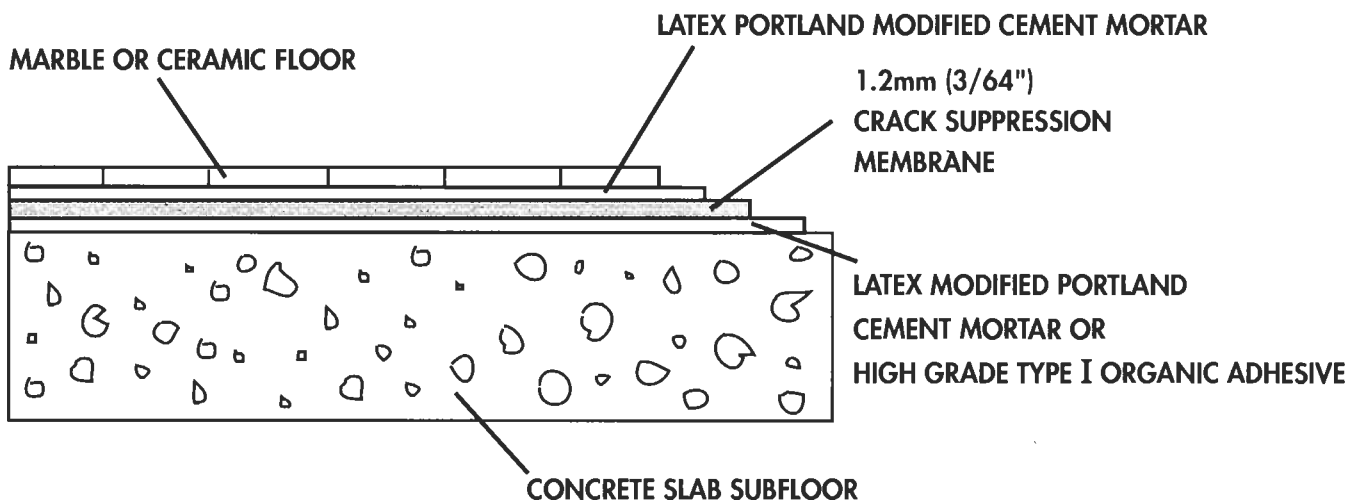
1. All subfloor work should be in accordance with the recommended procedures as published by the Tile Council of America and specified in the American National Standards Institute.
2. Concrete subfloor should be properly sloped, structurally sound, level and clean.
3. Inspect concrete subfloor for any open cracks and fill with a high grade epoxy filler.
4. Remove any excess concrete lumps or residue that may interfere with the installation of the Acousticork Crack Suppression Membrane.

CRACK SUPPRESSION MEMBRANE

1. Cut underlayment to desired length and install directly over the subfloor.
2. Pull the loose laid material back at least half the length of the cut cork. Using a properly sized V-notched trowel, apply a high grade Type I organic adhesive conforming to ANSI A136.1 or latex modified Portland cement mortar to the concrete slab conforming to ANSI A118.4. Gently, return the pulled back material to its measured place and evenly roll the material in both directions with a 50# roller to eliminate air bubbles. Repeat the procedure for the other half of the measured material.
3. Proceed to cover the entire floor making sure that joints are butted tightly.
4. After completion, Acousticork Crack Suppression Membrane should cover the entire flooring area without gaps.

CERAMIC TILE

1. Follow manufacturers recommended instruction for installation of finished floor tile conforming to ANSI A108.5.



Tile Floors on a Concrete Slab

NOTE: NOT DRAWN TO SCALE

AcousticorkPRODUCTS™

Sound Control Underlayment & Crack Suppression Membrane

26112 110th Street • PO Box 25 • Trevor, WI 53179 • 1-800-255-2675 • 1-262-862-9251 • FAX 1-262-862-2500



AMORIM