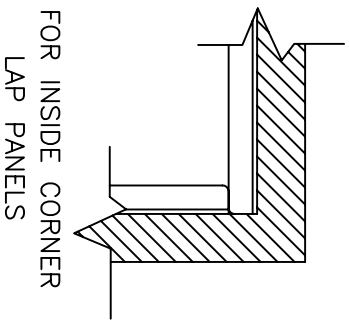


SPALDING®

**Wall Pad
2" Poly, 2'x6' with Z-clips
Model # 481-221**

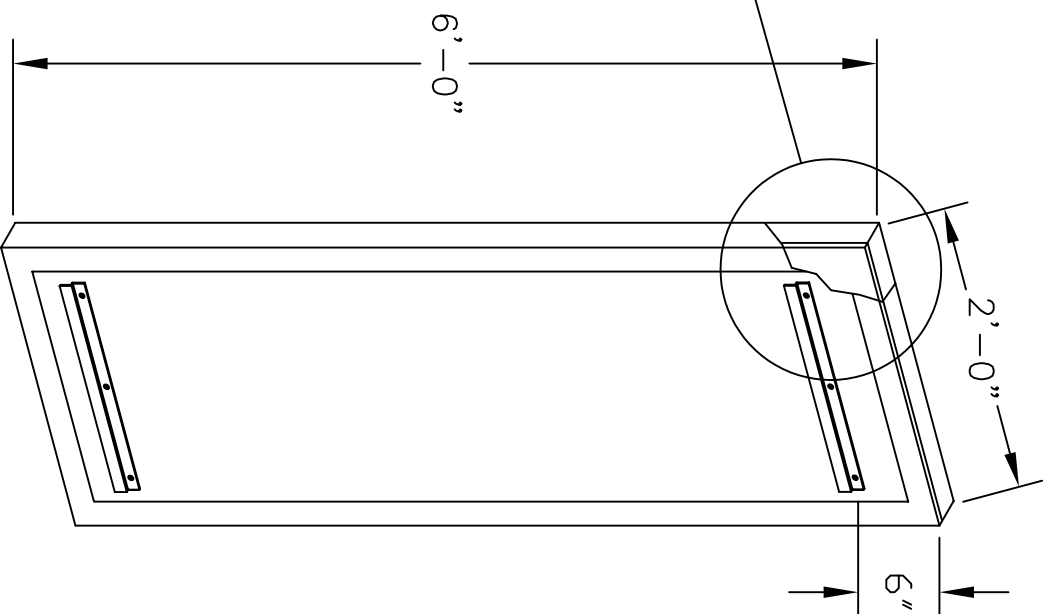
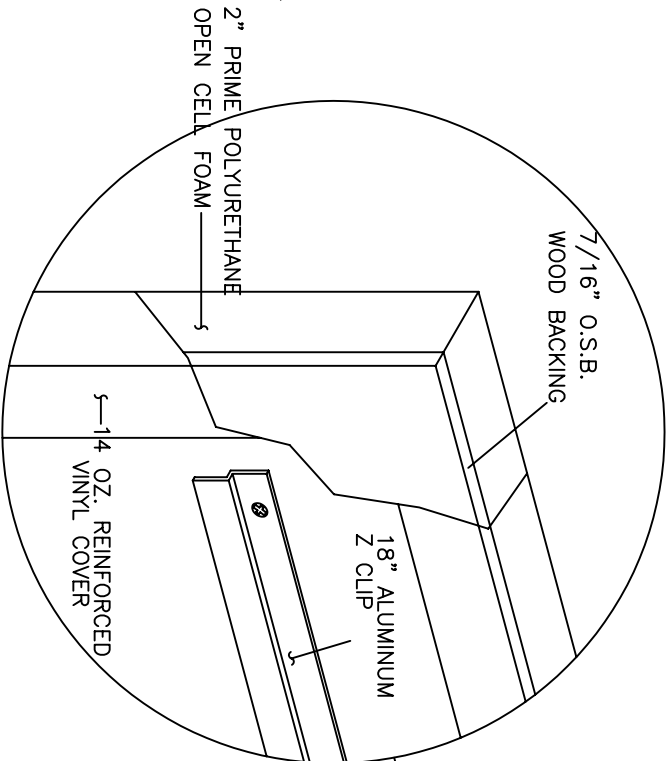
INSTALLATION DETAILS



FOR INSIDE CORNER
LAP PANELS

* CONTACT FACTORY FOR
EXTRA VINYL IF FIELD
CUTOUTS ARE NEEDED.

* SPECIAL COLORS AVAILABLE
FOR NO ADDITIONAL CHARGE.



WALL PAD, 2" POLY, 2' X 6' W/Z CLIPS

DO NOT SCALE

SCG #0481221

SPALDING

SPALDING SPECIFICATIONS

DATE: 01/01/06

MODEL NUMBER: 481221

DESCRIPTION: Wall Pad, 2" Poly, 2' x 6' Z-Clips

GENERAL DIMENSIONS: This standard wainscoting panel is 2' (610mm) wide x 6' (1829mm) high and is 2-7/16" (62mm) thick. It is designed for protective wall padding and can be installed on the wall using aluminum z-clips, allowing for easy pad removal and replacement.

CONSTRUCTION: Spalding wall pads are constructed using 7/16" (11mm) O.S.B wood backing, 2" (51mm) polyurethane foam and 14 oz. vinyl cover. There shall be (2) aluminum z-clips attached on the back of the pad for installation to wall.

Backing: The backside of the panel shall be a 7/16" (11mm) thick O.S.B. (oriented strand board) panel that is 2' x 6' (610mm x 1829mm).

Foam filler: The foam shall be 100 ILD polyurethane with a density of 1.80 lb/ft³ (29kg/m³). The dimensions of the foam shall be 2" x 24" x 72" (51mm x 610mm x 1829mm).

Vinyl cover: The cover material of the panel shall be a vinyl laminated polyester fabric that has a finish weight of 14 oz. per square yard. The fabric contains antifungal and antibacterial agents and is easily cleaned using mild soap and water. The cover fabric meets the National Fire Protection Standard 701. The color of the cover shall be royal blue.

Attachment method: There shall be two (2) aluminum z-clips attached to the back side of the pad. Each clip shall measure 2" x 18" x 3/32" (51mm x 457mm x 2.5mm) and be attached to the wood in three places, using 1/4" (6mm) screws. Attachment of similar clips to the mounting surface allows for easy pad installation and removal.

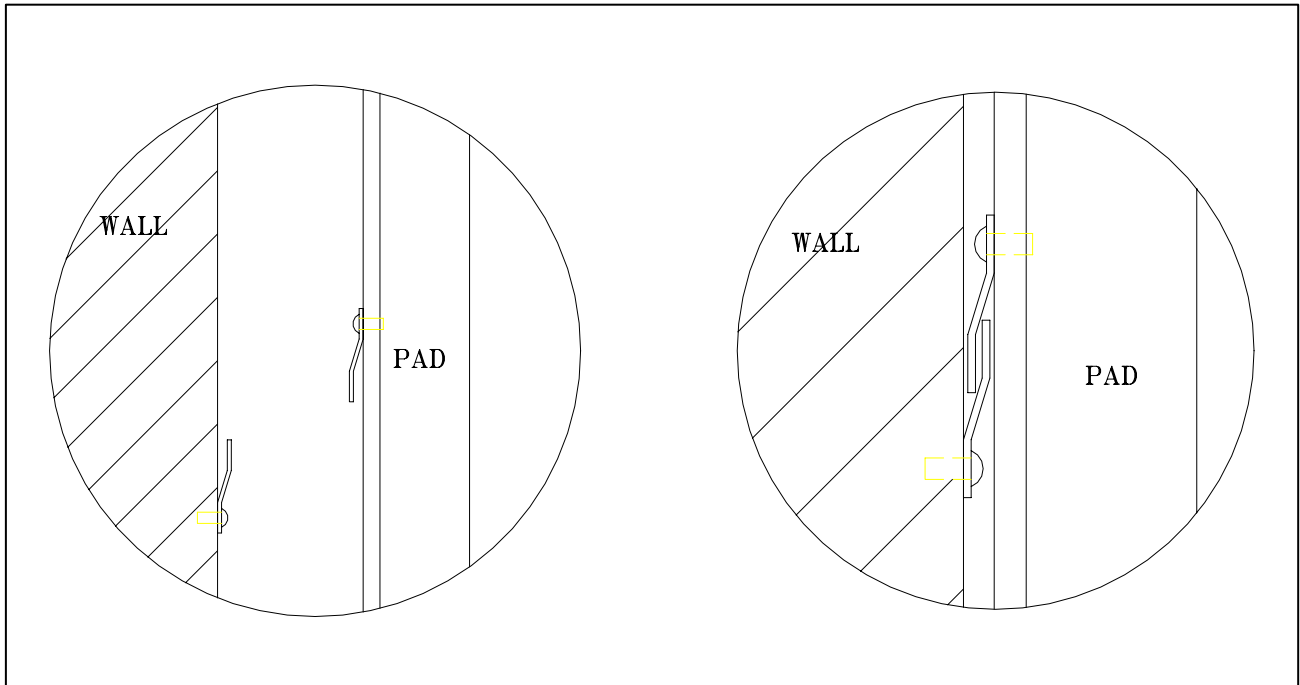
SHIPPING INFORMATION:

1 package - 23 lb. (10kg), 2.5" x 24" x 73" (64mm x 610mm x 1854mm), 2.53 CF

SPALDING SPECIFICATIONS

DATE: 01/01/06

DESCRIPTION: Z-Clip Mounting Strip



GENERAL DIMENSIONS: Z-Clip Mounting Strips are used in attaching stadium padding and wainscoting wall mats to the wall. This allows padding to be removed for storage or repair. The Z-Clip Mounting strip consists of a 2-5/64" (52mm) bent aluminum with 5 mounting holes.

CONSTRUCTION: The aluminum is 3' (914mm) in length and 2-5/64" (52mm) wide with (5) 9/32" (7mm) diameter holes spaced 1" (25mm) from each end and 8-1/2" (216mm) center to center. The tensile strength range of the aluminum sheet is 14,000 to 30,000 psi and has excellent corrosion resistance. The Z-Clip Mounting Strips are designed to interlock the clip mounted to the pad with the clip on the mounting surface to allow a secure installation with the ability to remove pads for storage.